

The background of the entire page is a white surface covered with numerous water droplets of various sizes and a large splash of water at the bottom right corner. The droplets are rendered with realistic shading and highlights, giving them a three-dimensional appearance.

BYSON

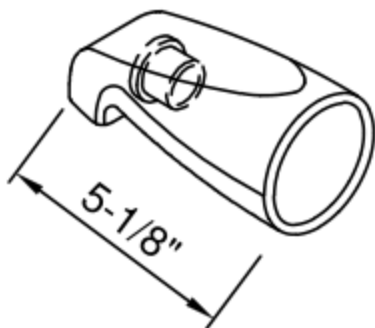


www.byson-intl.com



1201

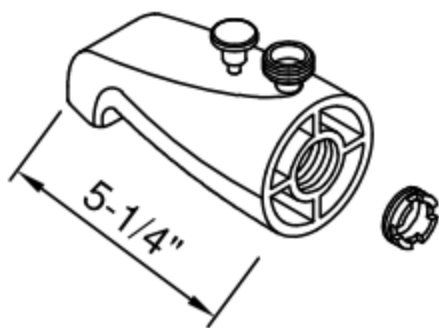
PLAIN TUB SPOUT



Plain spout connects to 1/2" I.P.S. at nose end.

1222

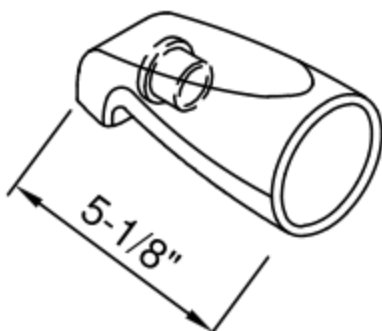
DIVERTER BATH SPOUT



Diverter spout connects to 1/2" or 3/4" I.P.S. at wall end. Top male-thread shower adaptor.

1202

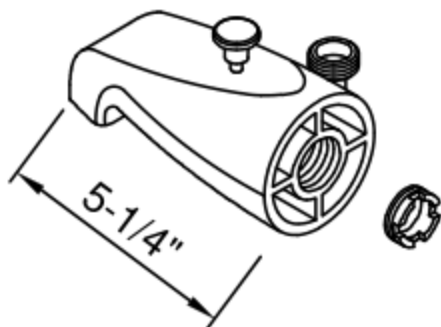
PLAIN TUB SPOUT



Plain spout connects to 3/4" I.P.S. at nose end.

1223

DIVERTER BATH SPOUT



Diverter spout connects to 1/2" or 3/4" I.P.S. at wall end. Side male-thread shower adaptor.

1211

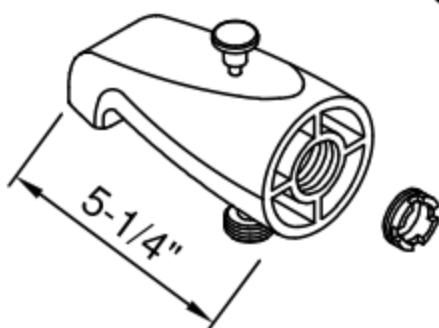
DIVERTER TUB SPOUT



Diverter spout connects to 1/2" I.P.S. at nose end.

1224

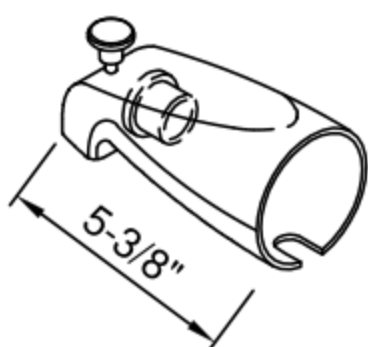
DIVERTER BATH SPOUT



Diverter spout connects to 1/2" or 3/4" I.P.S. at wall end. Bottom male-thread shower adaptor.

1208

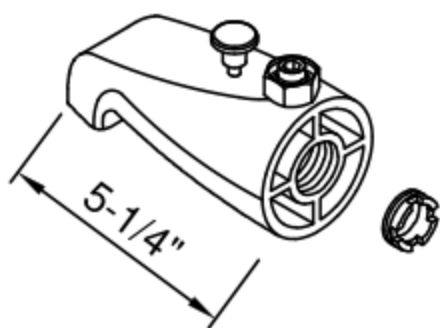
DIVERTER TUB SPOUT



Diverter spout connects to 1/2" I.P.S. at nose end.

1225

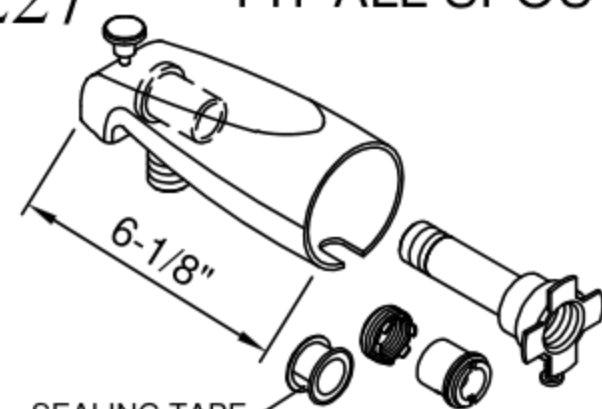
DIVERTER BATH SPOUT



Diverter spout connects to 1/2" or 3/4" I.P.S. at wall end. Top female-thread shower adaptor.

1227

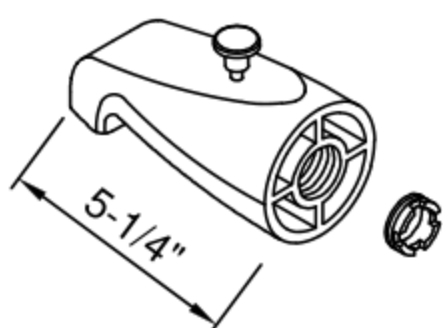
FIT-ALL SPOUT



SEALING TAPE
Diverter spout connects to 1/2" Copper Pipe & 1/2" or 3/4" I.P.S. Bottom male-thread shower adaptor.

1221

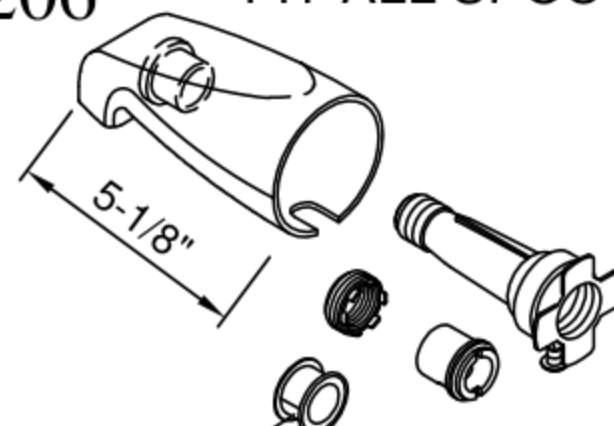
DIVERTER BATH SPOUT



Diverter spout connects to 1/2" or 3/4" I.P.S. at wall end.

1206

FIT-ALL SPOUT



SEALING TAPE
Plain spout connects to 1/2" Copper Pipe & 1/2" or 3/4" I.P.S.

SPOUT

SPOUT

1207 FIT-ALL SPOUT

5-3/8"

SEALING TAPE

Diverter spout
connects to 1/2" Copper Pipe & 1/2" or 3/4" I.P.S.

1272 FIT-ALL SPOUT

5-1/8"

SEALING TAPE

Plain spout
connects to 1/2" Copper Pipe & 1/2" or 3/4" I.P.S.

1291 FIT-ALL SPOUT

7"

SEALING TAPE

Diverter spout
connects to 1/2" Copper Pipe & 1/2" or 3/4" I.P.S.

1240 FIT-ALL SPOUT

5-3/8"

SEALING TAPE

Diverter spout
connects to 1/2" Copper Pipe & 1/2" or 3/4" I.P.S.

1273 FIT-ALL SPOUT

5-3/8"

SEALING TAPE

Diverter spout
connects to 1/2" Copper Pipe & 1/2" or 3/4" I.P.S.

1303 Universal Tub Spout Adapter

1238 FIT-ALL SPOUT

5-1/8"

SEALING TAPE

Plain spout
connects to 1/2" Copper Pipe & 1/2" or 3/4" I.P.S.

1274 FIT-ALL SPOUT

6-1/8"

SEALING TAPE

Diverter spout
connects to 1/2" Copper Pipe & 1/2" or 3/4" I.P.S.
Bottom male-thread shower adaptor.

1287 FIT-ALL SPOUT

5-1/8"

SEALING TAPE

Plain spout
connects to 1/2" Copper Pipe & 1/2" or 3/4" I.P.S.

1239 FIT-ALL SPOUT

6-1/8"

SEALING TAPE

Diverter spout
connects to 1/2" Copper Pipe & 1/2" or 3/4" I.P.S.
Bottom male-thread shower adaptor.

1275 FIT-ALL SPOUT

6"

SEALING TAPE

Diverter spout
connects to 1/2" Copper Pipe & 1/2" or 3/4" I.P.S.

1288 FIT-ALL SPOUT

5-1/8"

SEALING TAPE

Diverter spout
connects to 1/2" Copper Pipe & 1/2" or 3/4" I.P.S.

1286 FIT-ALL SPOUT

6"

SEALING TAPE

Diverter spout
connects to 1/2" Copper Pipe & 1/2" or 3/4" I.P.S.

1292 FIT-ALL SPOUT

7"

SEALING TAPE

Plain spout
connects to 1/2" Copper Pipe & 1/2" or 3/4" I.P.S.

1289 FIT-ALL SPOUT

6-1/2"

SEALING TAPE

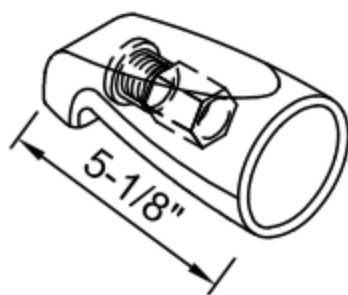
Plain spout
connects to 1/2" Copper Pipe & 1/2" or 3/4" I.P.S.

1290 FIT ALL SPOUT



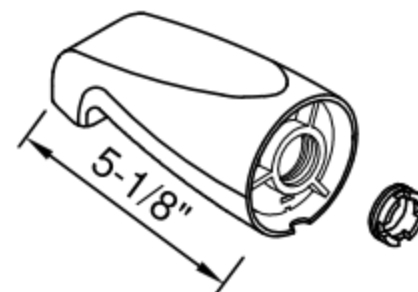
Diverter spout connects to 1/2" Copper Pipe & 1/2" or 3/4" I.P.S.

1209 PLAIN TUB SPOUT



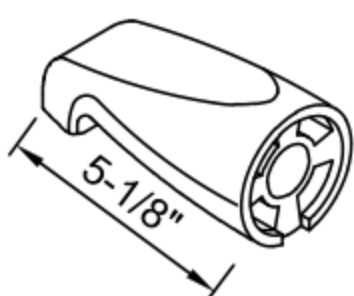
Plain spout connects to 1/2" I.P.S.

1279 MIXET



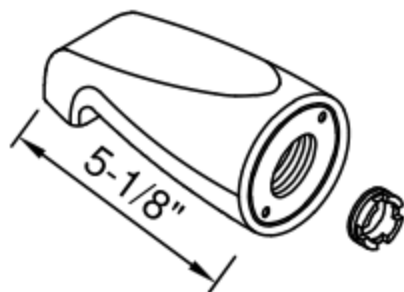
Plain spout connects to 1/2" or 3/4" I.P.S. at wall end.

1230 TUB SPOUT



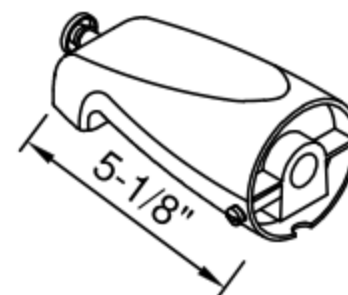
Plain spout connects to 1/2" Copper Pipe

1215 PLAIN TUB SPOUT



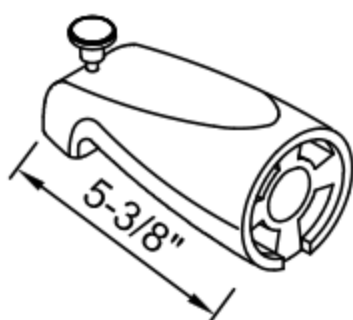
Plain spout connects to 1/2" or 3/4" I.P.S. at wall end.

1267 MIXET



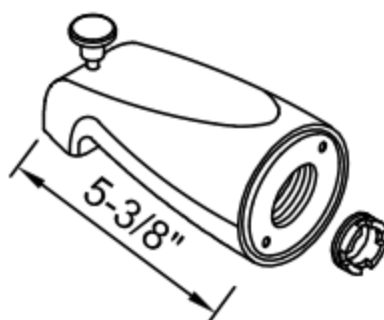
Diverter spout connects to 1/2" Copper Pipe

1231 DIVERTER BATH SPOUT



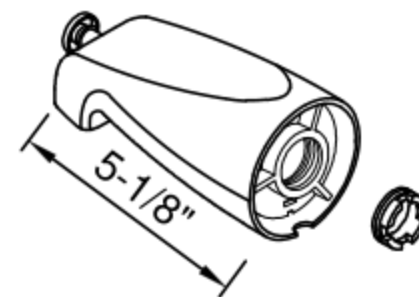
Diverter spout connects to 1/2" Copper Pipe

1216 DIVERTER TUB SPOUT



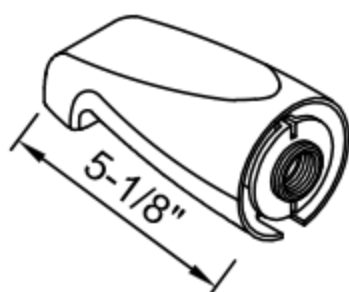
Diverter spout connects to 1/2" or 3/4" I.P.S. at wall end.

1235 MIXET



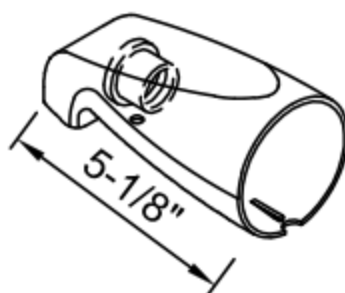
Diverter spout connects to 1/2" or 3/4" I.P.S. at wall end.

1241 BATH SPOUT



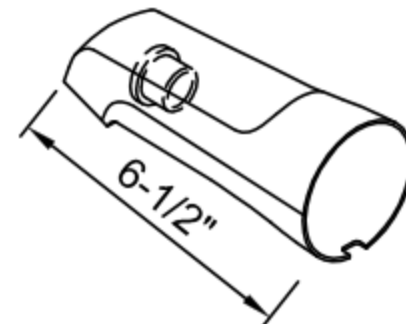
Plain spout connects to 1/2" or 3/4" I.P.S. at wall end.

1232 MIXET



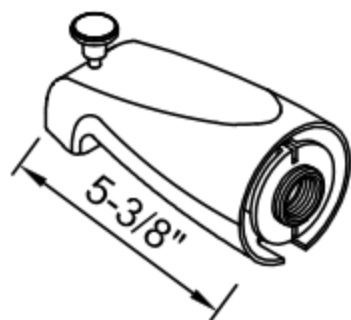
Plain spout connects to 1/2" I.P.S. at nose end.

1270 MIXET



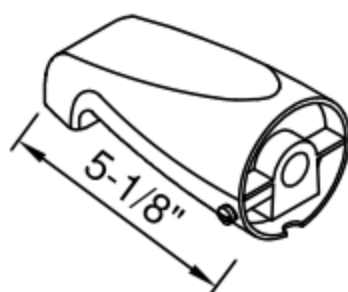
Plain spout connects to 1/2" I.P.S. at nose end.

1213 DIVERTER BATH SPOUT



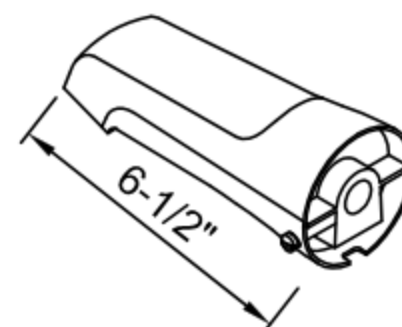
Diverter spout connects to 1/2" or 3/4" I.P.S. at wall end.

1271 MIXET



Plain spout connects to 1/2" Copper Pipe

1277 MIXET



Plain spout connects to 1/2" Copper Pipe

SPOUT

SPOUT

1278 **MIXET**

Plain spout connects to 1/2" or 3/4" I.P.S. at wall end.

1246 **BATH SPOUT**

Plain spout connects to 1/2" Copper Pipe

1293 **FIT-ALL SPOUT**

SEALING TAPE

Diverter spout connects to 1/2" Copper Pipe & 1/2" or 3/4" I.P.S.

1268 **MIXET**

Diverter spout connects to 1/2" Copper Pipe

1247 **BATH SPOUT**

Diverter spout connects to 1/2" I.P.S. at nose end.

1295 **FIT-ALL SPOUT**

SEALING TAPE

Plain spout connects to 1/2" Copper Pipe & 1/2" or 3/4" I.P.S.

1276 **MIXET**

Diverter spout connects to 1/2" or 3/4" I.P.S. at wall end.

1248 **BATH SPOUT**

Diverter spout connects to 1/2" Copper Pipe

1294 **DIVERTER TUB SPOUT**

Diverter spout connects to 1/2" I.P.S. at nose end.

1263 **FIT-ALL**

SEALING TAPE

Diverter spout connects to 1/2" or 3/4" I.P.S. at wall end.

1280

Diverter spout connects to 1/2" I.P.S. at nose end.

1296 **PLAIN TUB SPOUT**

Plain spout connects to 1/2" I.P.S. at nose end.

1245 **BATH SPOUT**

Plain spout connects to 1/2" I.P.S. at nose end.

1281

Diverter spout connects to 1/2" Copper Pipe

1211LDZ-2